

Pendant&Surface CS5035

# CS5035-A60



# CS5035-A60

## Basic Parameters

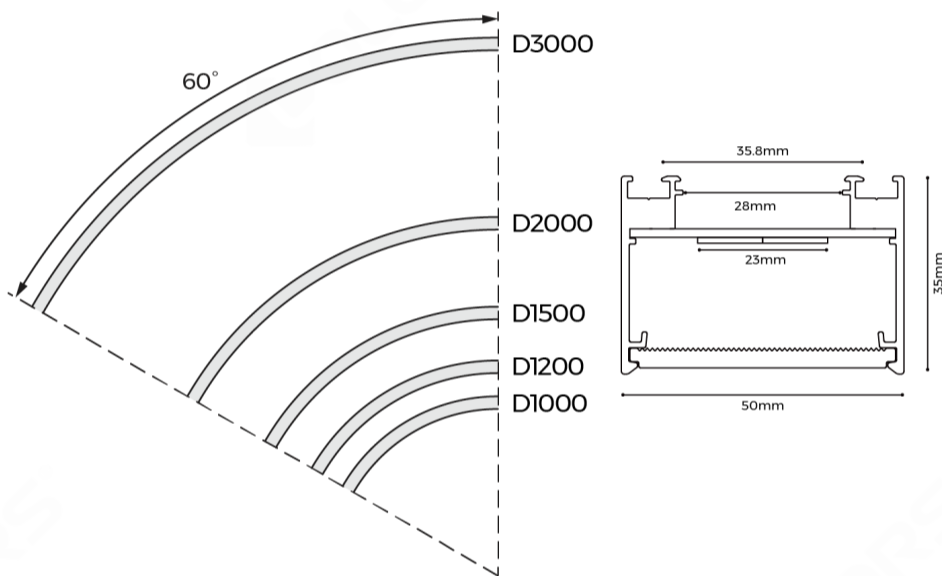
Application	Indoor
Material	AL6063-T5,spraying surface
IP Grade	IP20
Warranty	5 years

## Electrical Parameters

### Optical Parameters

SDCM	≤3 Step(ANSI)
Length	D1000mm,D1200mm,D1500mm,D2000mm,D3000mm
Luminous Efficacy	90LM/W

## Dimensions

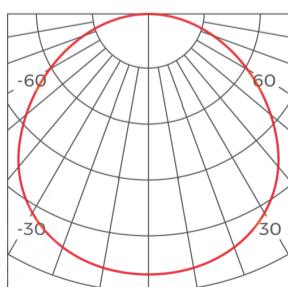


## Luminaire Parameters

Version	Size(mm)	Power(W)	PCB Current(A)	CRI	CCT	Lumens(LM) @White, Sliver	Lumens(LM) @Black
Regular	D1000mm	12	0.5	>80	4000K	1080	918
Regular	D1200mm	14	0.58	>80	4000K	1260	1071
Regular	D1500mm	19	0.79	>80	4000K	1710	1453
Regular	D2000mm	25	1.04	>80	4000K	2250	1912
Regular	D3000mm	37	1.54	>80	4000K	3330	2830
Regular	D1000mm	12	0.5	>90	4000K	928	789
Regular	D1200mm	14	0.58	>90	4000K	1083	921
Regular	D1500mm	19	0.79	>90	4000K	1470	1250
Regular	D2000mm	25	1.04	>90	4000K	1935	1644
Regular	D3000mm	37	1.54	>90	4000K	2863	2434

## Light Distribution

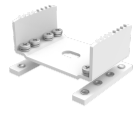
Regular-110°



h(m)	D(cm)	E(lx)
1	287	371
2	575	92
3	863	40
4	1151	22

## Common Accessories

### Splicing accessory



#### EX-E16

Applicable product model: CS5035/CE5035 Material process:SPCC/ Electroplating Size: L46.5\*W30\*H18mm Quantity: 1 PCS/SET Other:Includes mounting screws.

### Dedicated light source



#### DM51202423

Applicable product model: CS5035/CS5070/CE5035(stick a single strip)  
CS7035/CS7070/CE7035(paste two strips placed parallel to each other)  
Size: 4000\*23\*1.5mm/5000\*23\*1.5mm  
Cutting Unit:50mm  
Input Voltage:DC24V  
Typ.Power:14.4W/M(5M/roll); 24W/M(4M/roll)  
Typ.luminous flux:  
800LM/M@RGBNW(5M/roll)  
1320LM/M@RGBNW(4M/roll)  
CCT:RGB(DMX)+2700/RGB(DMX)+3000/RGB(DMX)+4000/RGB(DMX)+6000K  
CRI: RA80 @ white light  
Other:20# wire diameter,outer diameter 5.5mm, PVC material;5PIN red/black/green/blue/white wire



#### DS81602423

Applicable product model: CS5035/CS5070/CE5035(stick a single strip)  
CS7035/CS7070/CE7035(paste two strips placed parallel to each other)  
Size: 4000\*23\*1.5mm/5000\*23\*1.5mm  
Cutting Unit:50mm  
Input Voltage:DC24V  
Typ.Power:14.4W/M(5M/roll); 24W/M(4M/roll)  
Typ.luminous flux:  
2300LM/M@RA80,4000k(5M/roll)  
3600LM/M@RA80,4000k(4M/roll)  
CCT: 2700/3000/3500/4000/5000/6500K  
CRI: 80/90  
Other:18# wire diameter,PVC material, 2PIN red-black wire



#### DS83202423

Applicable product model:CS5035/CS5070/CE5035(stick a single strip)  
CS7035/CS7070/CE7035(paste two strips placed parallel to each other)  
Size: 3000\*23\*1.5mm/4000\*23\*1.5mm  
Cutting Unit:50mm/16LEDs  
Input Voltage:DC24V  
Typ.Power:  
48W/M(2700K+6500K)@3M/roll  
28.8W/M(2700K+6500K)@4M/roll  
Typ.luminous flux:  
4000LM/M@RA80,2700K+6500K(4M/roll)  
6700LM/M@RA80,2700K+6500K(3M/roll)  
CCT: 2700K+6500K  
CRI: 80/90  
Other:Outer diameter 6mm,18# wire diameter, brown-blue-green 3PIN crystal wire

### Cover



#### CV-CS5035D

Applicable product model:CS5035/CS5070/CE5035(suitable for down-lighting) Diffuser Nature: Diffuser Material process: Silica gel flexible/frosting Light transmittance:≥55% Size: 2000\*47\*4mm Other: Fire protection rating UL94-V2 ;

### Controller



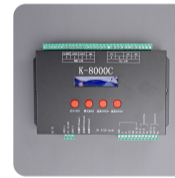
#### CR2-GBA

Product Name: CR2-GBA Input Voltage: 12-48V Output Current:8A\*2CH,Max 16A Output Power:192W/384W@12V/24V , 384W/576W@36V/48V Dimming Mode: Two-color 2.4 remote control IP:IP20 Product Size:L175\*W45\*H27(mm)



#### K-1000C

Product Name: K-1000C Input voltage: 5-24V Control Pixel Points:Point Control 1CH\*1024(SPI),Point Control 1CH\*512(DMX) Dimming mode:DMX/SPI control IP:IP20Warranty: 5 years



#### K-8000C

Product Name: K-8000C Input Voltage: 5-24V Control Pixel Points:Point Control 8CH\*1024(SPI),Point Control 8CH\*512(DMX) Dimming mode:DMX/SPI control IP:IP20Warranty: 5 years

### End cap accessory



#### EC-MS5035

Applicable product model: MS5035 Material process: aluminum/ powder spraying Size: L50\*W35\*H2.5mm Quantity:2PCS/ set

## Installation accessory



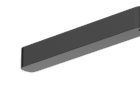
### CL-01

Applicable product model:LE1616/LG2323/LG2727/LG7043/LG7070/LR0812/LR1613/LR1616/LR2013/LR3735/LR3840(A)/LR3840(B)/LR3924/LR3943/SK10032/SK6013(A)/SK6013(B)/LR5535(A)/LR5535(B)/LS3360/LS4067/LS5470(F)/LS7977/AS3535-2500/AS3535-08A45/90/AS3535-15A45/90/AS3535-30A45/AS3535-03A90/AS3535-03N90/AS3535-03W90/AS3535-15N90/AS3535-15W90/LR25/BH3360/BH5470/BH7977/BS3360/BS5470/BS7977 Installation method: Ceiling Material process: Carbon Steel Size: M3.5\*40mm Quantity: 4 PCS/ set Others:4 pcs screws+4 pcs expansion tube



### CP-54

Applicable product model: MS5035/MS5070/ME5035 Applicable installation: Pendant/Ceiling/Recessed Material process: Stainless Steel Size: L37.87\*W20\*H5.4mm Quantity: 4 PCS/SET



### PB-09

Applicable product model: CS3535/CS5035/CS7035/CS3570/CS5070/CS7070 Installation method: pendant(Power box with wire) Material process: SPCC/powder spraying Maximum weight capacity: 8Kg Size: Power Box: L400\*W55\*H50mm Wire: D3\*2000mm Quantity: 1PCS/ set Note: 1. Including 1PCS Power Box+1PCS input wire; Power supply not included. 2. One power box holds one power supply 3. Need to order separate clip(CP-XX) to use with it



### PB-10

Applicable product model: CS3535/CS5035/CS7035/CS3570/CS5070/CS7070 Installation method: pendant(Power box with rod) Material process: SPCC/powder spraying Size: Power Box: L400\*W55\*H50mm Rod: 1-2 meter adjustable Wire: D3\*2000mm Quantity: 1PCS/ set Note: 1. Including 1PCS Power Box+1PCS input wire+1PCS rod; Power supply not included. 2. One power box holds one power supply 3. Need to order separate clip(CP-XX) to use with it



### PG-IXXX

Applicable product model:LS1911C/LS1911K/LS3535/LS5050/LS3360/LS4067/LS5470(F)/LS7977/LT60/BH3360/BH5470/BH7977/BS3360/BS5470/BS7977/LS60/S60/LS25/LH40FD/LH40FP/LH40G/LS40FD/LS40FP/LS40G/LS40GW/M20FD/M20G(A)/M20G/M20I/M20S/R25FD/R25FP/R25G/R25KD/R25L/R35I/R35S/RNR30MJ/RNR30NJ/RNR30NK Installation method: pendant Material process:/ Maximum weight capacity: 8KG Quantity: 2PCS/ set Other:Pendant rod (1-2m adjustable), include 2pcs pendant rods, 2 pcs rectangular screw



### PN(E)-D

Applicable product model: LINE ECO series Installation method: Pendant Material process: Nickel plating Size: / Quantity: 2PCS/SET Other:2 meter wire rope 2PCS, cable locker 2PCS, cable holder 2PCS, M5 flat head Phillips screws 2PCS, M4\*35mm screws 2PCS, expansion tube 2PCS



### PN-DXX

Applicable product model: LS1911C/LS1911K/LS3535/LS5050/LS3360/LS4067/LS5470(F)/LS7977/LT60/BH3360/BH5470/BH7977/BS3360/BS5470/BS7977/LS5470(F)/LS7977/LT60/LINE40 series product/LINE60 series product/TLS-R6X0 track Installation method: Pendant Material process: Pearl Chrome Size:/ Quantity: 2PCS/ set Other:Junction box not included, 2 pcs pendant cable accessory, pendant cable length 4m, rectangular screw model.



### PP-A

Applicable product model: CS3535/CS5035/CS7035/CS3570/CS5070/CS7070 Installation method: pendant(Ceiling plate with wire) Material process: Fe/powder spraying Maximum weight capacity: 3Kg Size: Ceiling Plate: D88\*29mm/Wire: D3\*2000mm Open hole: D75mm Quantity: 1PCS/ set Note : 1. Including 1PCS Ceiling plate+2PCS spring s+1PCS input wire. 2. One ceiling plate holds one power supply. 3. Need to order separate clip(CP-XX) to use with it.



### PP-G

Applicable product model: CS3535/CS5035/CS7035/CS3570/CS5070/CS7070 Installation method: pendant(Ceiling plate with rod) Material process: Fe/powder spraying Maximum weight capacity: 3Kg Size: Ceiling Plate: D88\*29mm/Rod: 1-2 meter adjustable/Wire: D3\*2000mm Open hole: D75mm Quantity: 1PCS/ set Note : 1. Including 1PCS Ceiling plate+2PCS springs+1PCS input wire+1PCS rod. 2. One ceiling plate holds one power supply. 3. Need to order separate clip(CP-XX) to use with it.

## CCT-Remote control



### R7-1

Product Name:R7-1 Dual Color Remote Working Voltage : 3VDC (Battery CR2032 Operating Frequency:2.4GHz Remote Control Distance: 30 meters Operating Temperature: -30°C~55°C Product Size: L107\*W58.5\*H9(mm)

## Power Supply



### BK-DEV200-24V0D

Applicable product model: General  
 Dimming mode: DALI2,PUSH-dimming,1-10V 3in1 dimming  
 Size: 361\*33.1\*22.8mm  
 Input voltage: AC200-240V  
 Operating frequency: 50/60Hz  
 PF value: ≥0.9  
 Output voltage: DC24V  
 Output current: ≤8.3A  
 Power: 200W  
 Efficiency: 0.92  
 Certification: TUV, CE, RCM  
 Case material: Metal housing



### BK-DGVX-24V0D

Product Name: BK-DGV036-24V0D/BK-DGV060-24V0D/BK-DGV100-24V0D  
 Applicable product model: General  
 Output power: 36W/60W/100W  
 Output current: ≤1.5A/≤2.5A/≤4.2A  
 Product size: 245.0\*30.0\*21.0mm/285.0\*30.0\*21.0mm/355.0\*30.0\*21.0mm  
 Input voltage: AC200-240V  
 Input voltage: AC200~240V  
 Operating frequency: 50/60Hz  
 Output voltage: DC24V  
 PF value: ≥0.9  
 Efficiency: ≥0.88  
 IP: IP20  
 Dimming mode: DALI-2,PUSH-Dimming,1-10V 3in1 Dimming  
 Certification: CE, ENEC, UKCA, RCM, CCC, EL  
 Material: Metal housing  
 Warranty: 5 years



### BK-MEV200-24V0M

Applicable product model: General  
 Dimming mode: 1-10V Dimming  
 Size: 321.5\*48\*30mm  
 Input voltage: AC200-240V  
 Operating frequency: 50/60Hz  
 PF value: ≥0.9  
 Output voltage: DC24V  
 Output current: ≤8.3A  
 Power: 200W  
 Efficiency: 0.93  
 Certification: CE, ENEC, UKCA, RCM, CCC, EL  
 Case material: Metal housing



### BK-MGVX-24V0M

Product Name: BK-MGV036-24V0M/BK-MGV060-24V0M/BK-MGV100-24V0M  
 Applicable product model: General  
 Output power: 36W/60W/100W  
 Output current: ≤1.5A/≤2.5A/≤4.2A  
 Product size: 245.0\*30.0\*21.0mm/285.0\*30.0\*21.0mm/355.0\*30.0\*21.0mm  
 Input voltage: AC200-240V  
 Operating frequency: 50/60Hz  
 Output voltage: DC24V  
 PF value: ≥0.9  
 Efficiency: ≥0.89  
 IP: IP20  
 Dimming mode: 1-10V Dimming  
 Certification: TUV, CE, ENEC, RCM  
 Material: Metal housing  
 Warranty: 5 years



### LF-GHYXH24

Applicable product model: General  
 Dimming mode: Non-Dimming  
 Size: 316\*30.7\*22.8mm / 361\*33.1\*22.8mm  
 Input voltage: AC220-240V  
 Operating frequency: 50/60Hz  
 PF value: ≥0.9  
 Output voltage: DC24V  
 Output current: ≤4.25A / ≤10A  
 Power: 100W / 240W  
 Efficiency: 0.92  
 Certification: ENEC, CE, CB, RCM, UKCA, MM, CCC  
 Case material: Plastic

## Packing

QTY/CTN	N. WT (ctn)	G.WT (ctn)	Size (cm/carton)	Product Size (mm)
20	7.4	8.14	41.5*56.5*34	D1000*50*35mm
16	7.1	7.81	67.5*42.5*27.5	D1200*50*35mm
18	12.3	13.53	82*62.5*21	D1500*50*35mm
12	8	8.8	106.5*50*21	D2000*50*35mm
15	18.7	20.57	156.5*65*21	D3000*50*35mm